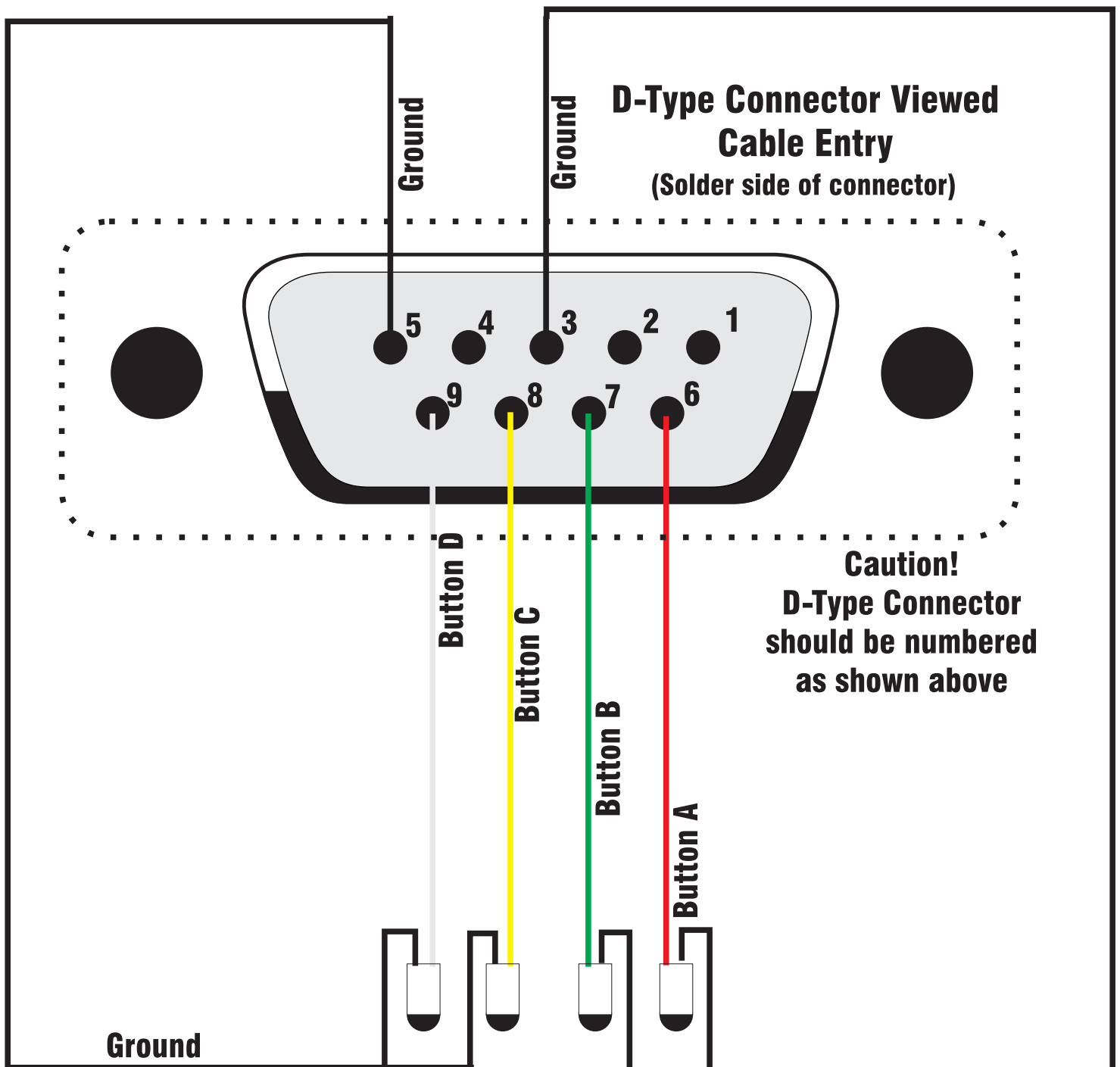


DigiDash2 External Button Wiring



Use push to make SPST (single pole single throw) switches.

One side of switch should be connected to ground with other side wired to connector as above.